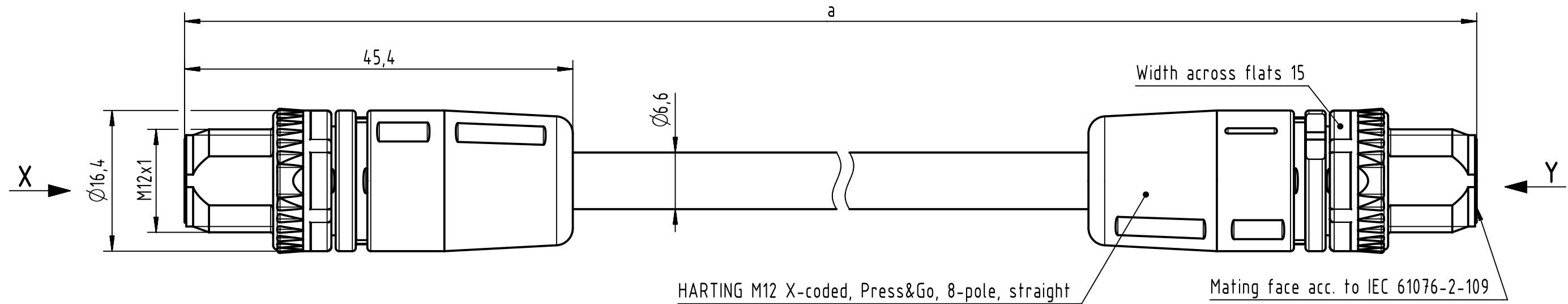


Connector Location A

Connector Location B



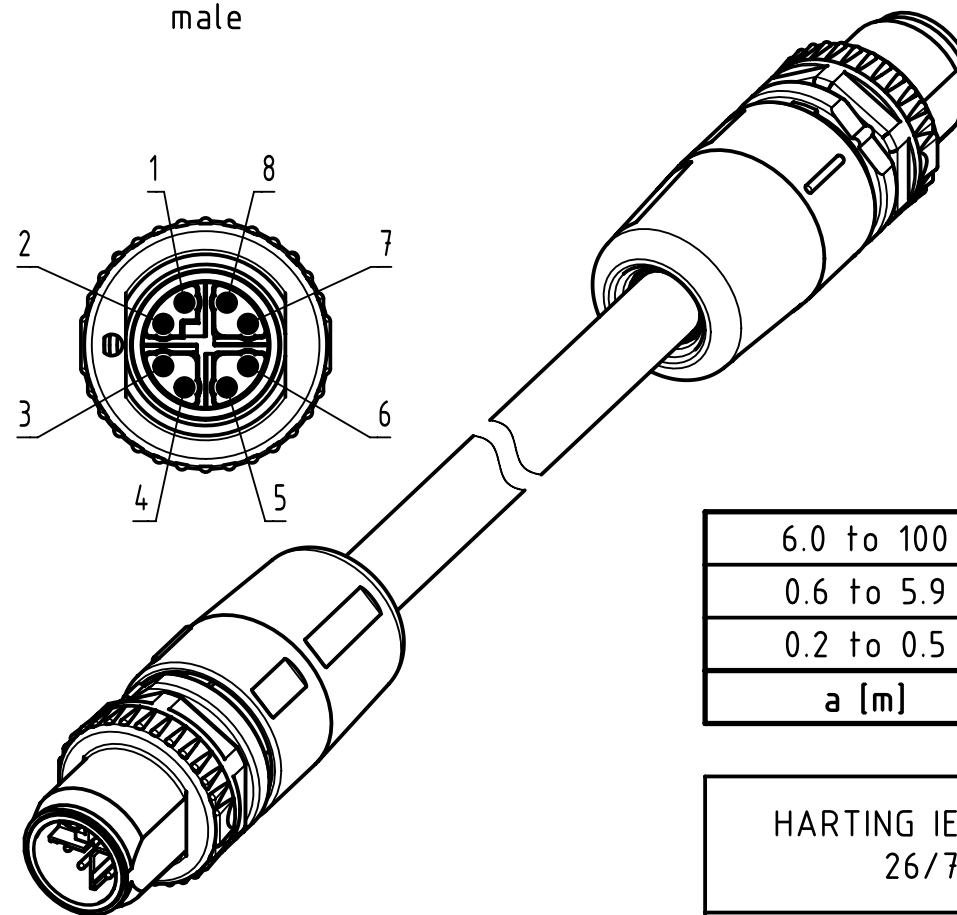
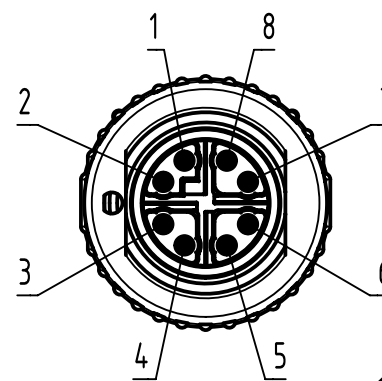
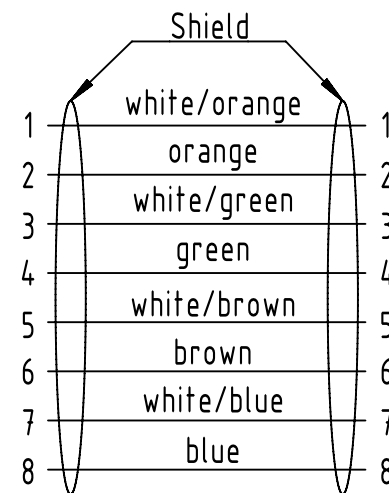
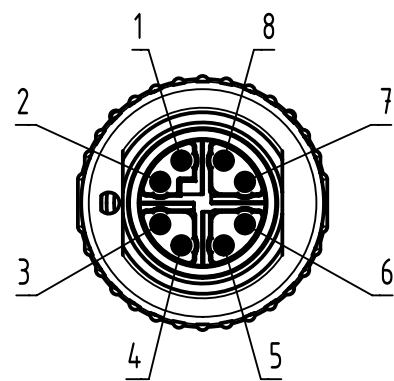
HARTING M12 X-coded, Press&Go, 8-pole, straight

Mating face acc. to IEC 61076-2-109

X male

Loading Plan acc. to TIA/EIA 568B

Y male



- Protection level: IP65/67
- Temperature range: -20°C ... +80°C

NOTE:

* Cat.6A 10 Gbit/s Ethernet transmission possible for lengths up to 45m

length in "1m" step	100	XXX=000
	99	XXX=990
	.	.
	12	XXX=120
length in "0.1m" step	11	XXX=110
	10	XXX=100
	9.9	XXX=099
	9.8	XXX=098
	.	.
	0.5	XXX=005
	0.4	XXX=004
	0.3	XXX=003
0.2	XXX=002	
Step	a [m]	XXX

6.0 to 100	±1%
0.6 to 5.9	+0.04
0.2 to 0.5	+0.02
a [m]	Tolerance

HARTING IE Cat.6A 4x2xAWG
26/7 PVC yellow

21330505855XXX

Type of cable

Part no.

	All rights reserved	Created by 405181 Hadar	Inspected by 402676 Gross	Standardisation COSTEA Costea	Date 2021-11-12	State Final Release
	Department HCS - RO	Title M12 X-coded Cable Assembly		Doc-Key / ECM-Nr. 100581455/UGD/003/G 500000205994		
HARTING Customised Solutions D-32339 Espelkamp		Type TB	Number 21330505855XXX		Rev. G	Page 1/1